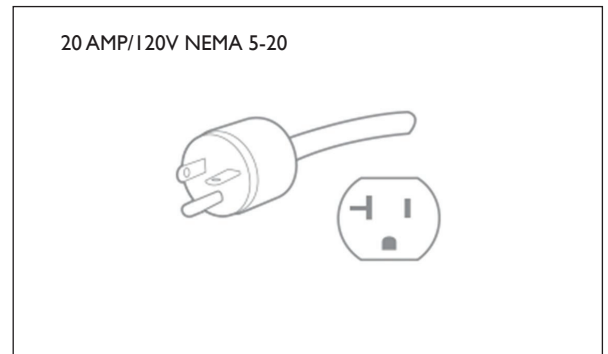
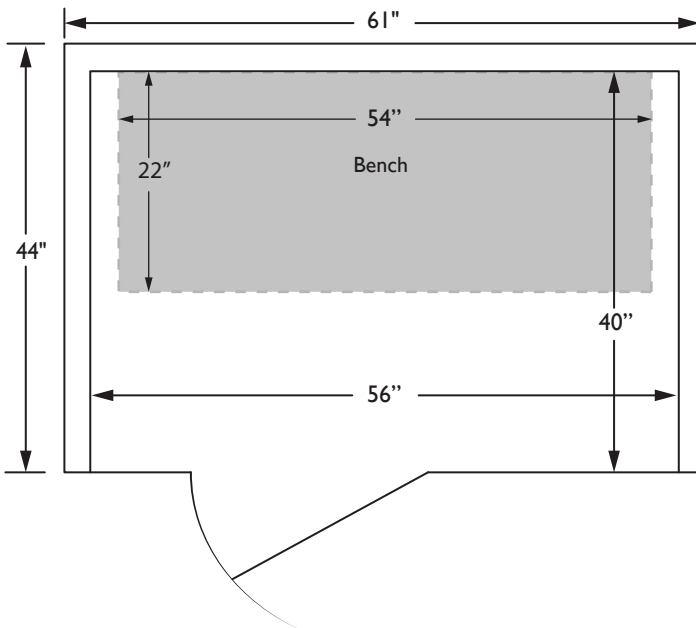


Top View



SPECIFICATIONS

Construction

Eco Certified Grade "A" Clear Western Red Canadian Cedar or Basswood
Tongue & Groove Construction
Weight: 440 lbs

Exterior

Width: 61"
Depth: 44"
Height: 76"
Roof overhang: 6 5/8"
Door: 23 3/4" x 64 7/8"

Interior

Width: 56"
Depth: 40"
Height: 71"
Bench: 54" x 22"
Bench Height: 17.5"

Far Infrared Heaters

True Wave™ Carbon/Ceramic
Low EMF/ELF Heaters
Power: 120V / 1,950W / 16A

Limited Lifetime Warranty

Cabinetry
Electrical
Heaters