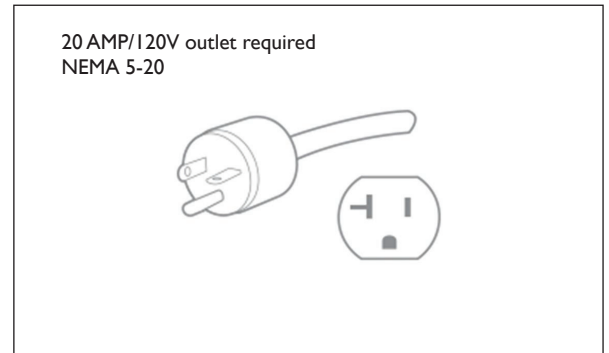
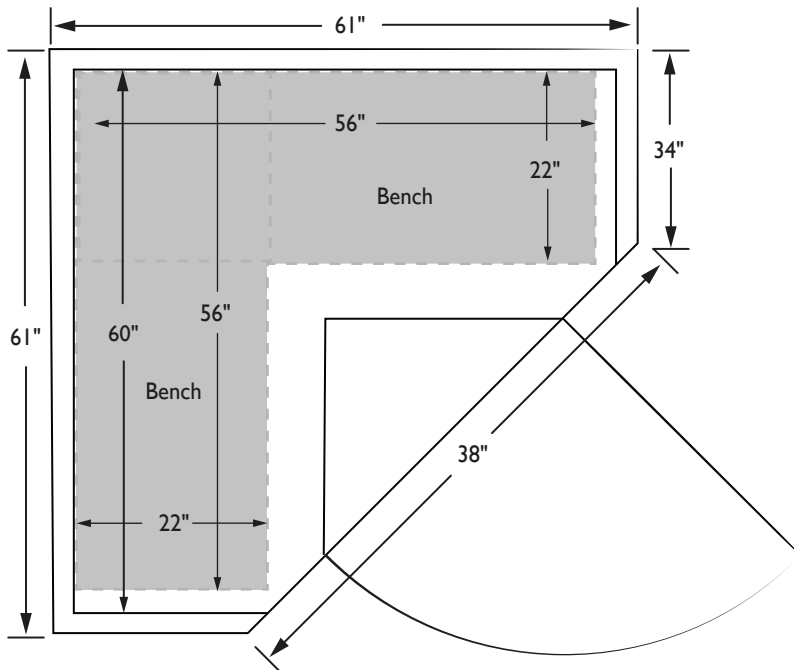


Top View



SPECIFICATIONS

Construction

Eco Certified Grade "A" Clear Western
Red Canadian Cedar or Basswood
Tongue & Groove Construction
Weight: 505 lbs

Exterior

Back: 61"
Side: 34"
Front: 38"
Height: 76"
Roof overhang: 5 1/2"
Door: 23 3/4" x 64 7/8"

Interior

Depth: 60"
Height: 71"
Bench (2): 56" x 22"
Bench Height: 17.5"

Far Infrared Heaters

True Wave™ Carbon/Ceramic
Low EMF/ELF Heaters
Power: 120V / 2,100W / 17.5A

Limited Lifetime Warranty

Cabinetry
Electrical
Heaters