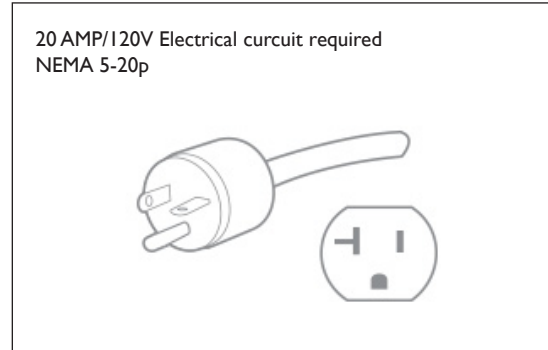
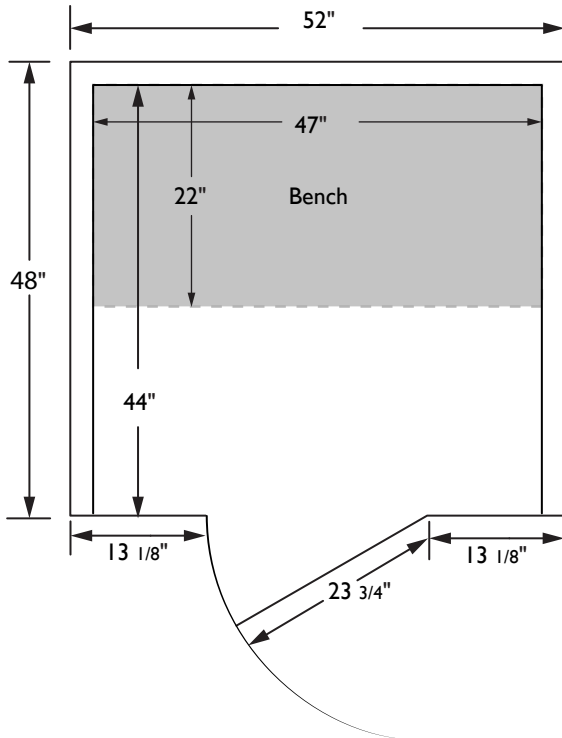
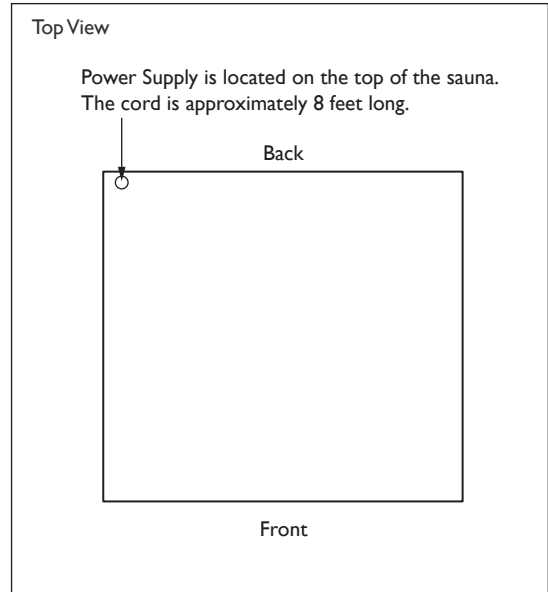
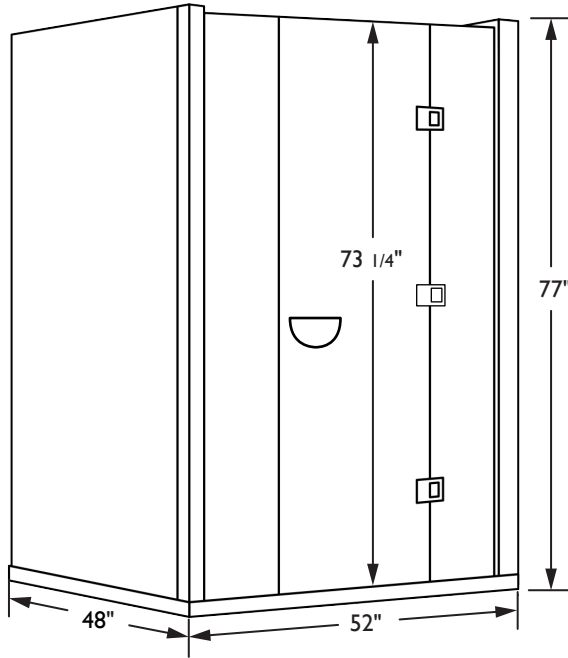




SAUNAS

CLEARLIGHT SANCTUARY 2 FULL SPECTRUM



SPECIFICATIONS

Construction

Eco Certified Grade "A" Clear Western
Red Canadian Cedar or Basswood
Tongue & Groove Construction
Weight: 450 lbs

Exterior

Width: 52"
Depth: 48"
Height: 77"
Door: 23 3/4" x 73 1/4"

Interior

Width: 47"
Depth: 44"
Height: 74"
Bench: 47" x 22"
Bench Height: 20"

Heaters

True Wave™ Carbon/Ceramic
Far infrared and full spectrum heaters
Power: 120V / 2,250W / 18.75A

Limited Lifetime Warranty

Cabinetry & Glass
Electrical
Heaters
Controls