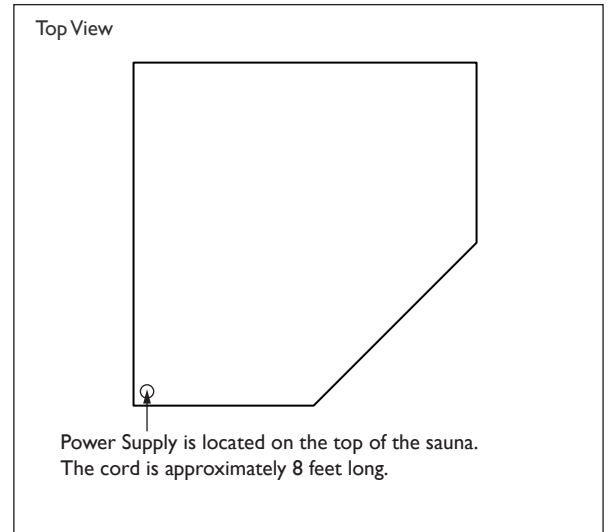
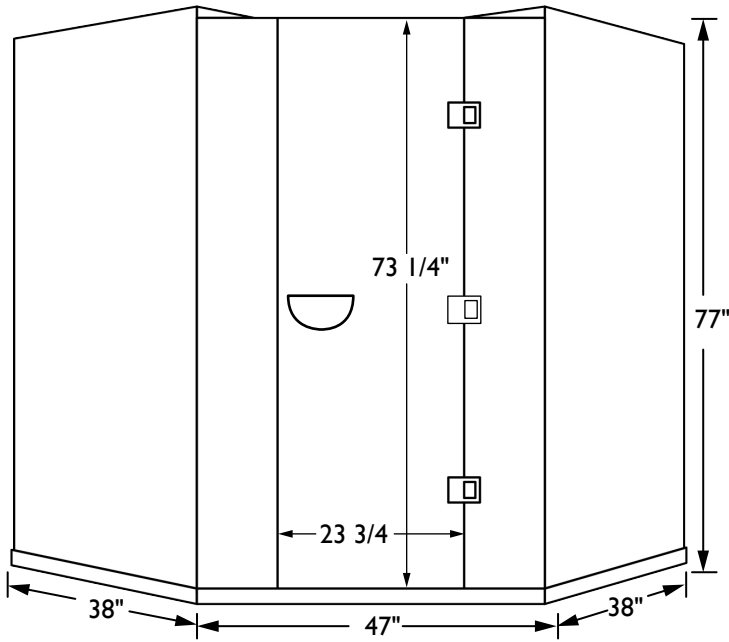


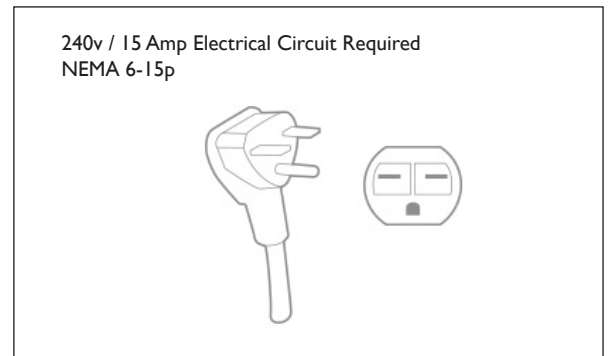
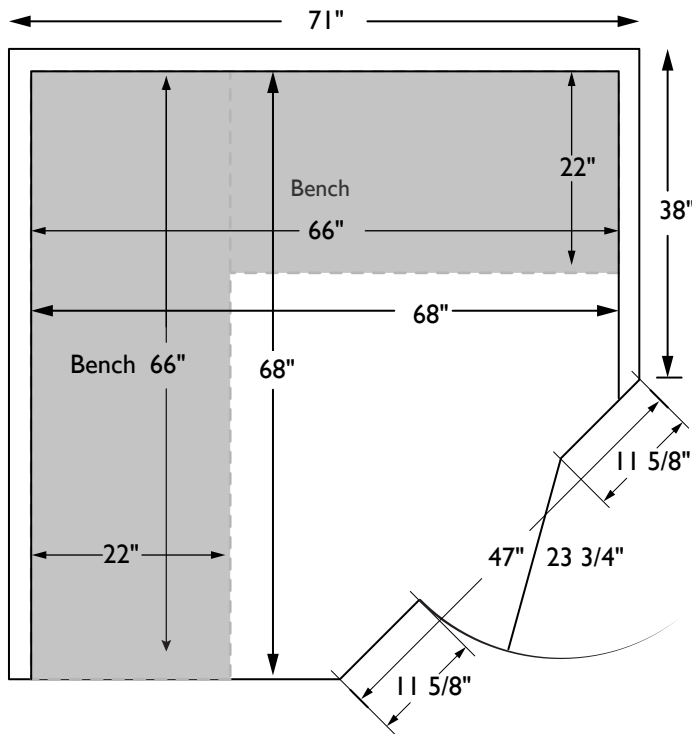


SAUNAS

CLEARLIGHT SANCTUARY C
FULL SPECTRUM



Top View



SPECIFICATIONS

Construction

Eco Certified Grade "A" Clear Western
Red Canadian Cedar or Basswood
Tongue & Groove Construction
Weight: 640 lbs

Exterior

Back Walls: 71"
Side Walls: 38"
Front Wall: 47"
Height: 77"
Door: 23 3/4" x 73 1/4"

Interior

Width: 68"
Depth: 68"
Height: 71"
Bench: 66" x 22"
Bench Height: 20"

Heaters

TrueWave™ Carbon/Ceramic
Far infrared and full spectrum heaters
Power: 240V / 3,220W / 13.5A

Limited Lifetime Warranty

Cabinetry & Glass
Electrical
Heaters
Controls