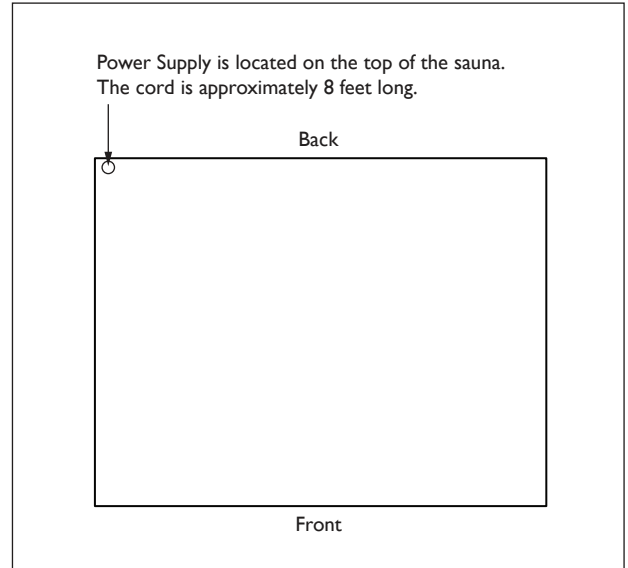
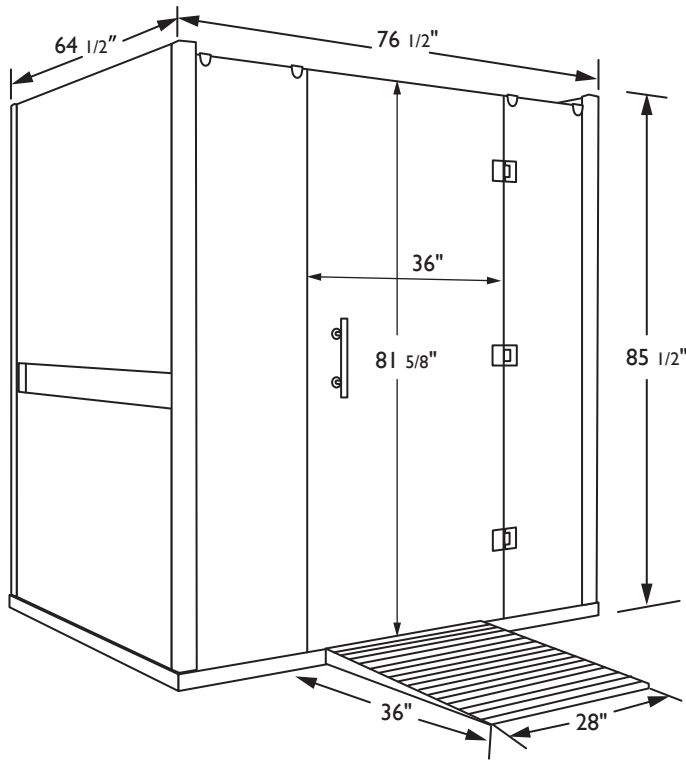


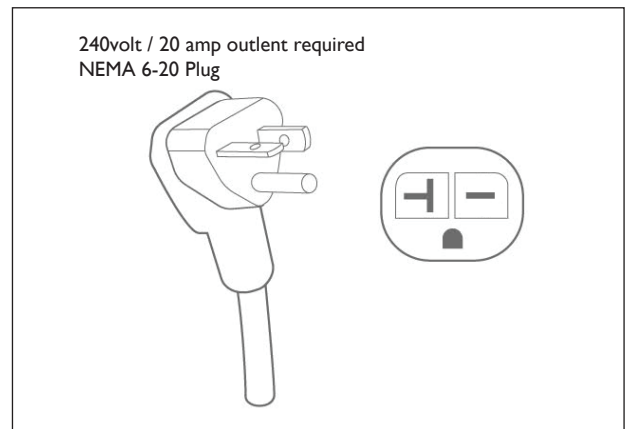
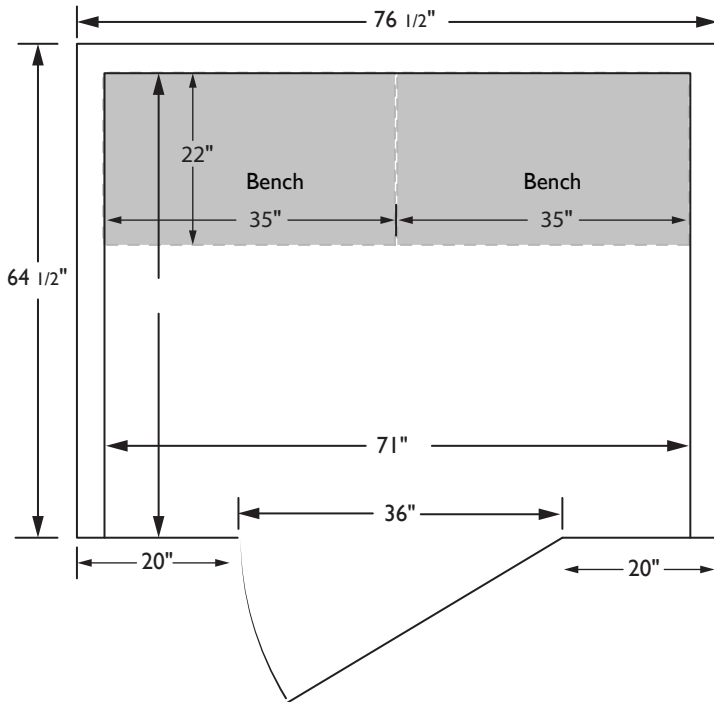


SAUNAS

CLEARLIGHT SANCTUARY FULL SPECTRUM **RETREAT**



Top View



SPECIFICATIONS

Construction	Exterior	Interior	Ramp	Heaters	Limited Lifetime Residential Warranty
Eco Certified Grade "A" Clear Western Red Canadian Cedar or Basswood	Width: 76 1/2"	Width: 71"	Width: 28"	True Wave™ Carbon/Ceramic	Cabinetry & Glass
Tongue & Groove Construction	Depth: 64 1/2"	Depth: 61"	Depth: 36"	Far infrared and full spectrum heaters.	Electrical
Weight: 780 lbs	Height: 85 1/2"	Height: 81"	Elevated Height: 2 3/4"	Power: 240V / 3,610W / 15.1A	Heaters
	Door Opening: 36" x 81 5/8"	Two Benches: 35" x 22"	Bottom Height: 1"		Controls
		Bench Height: 20"	Slope: 1:12		