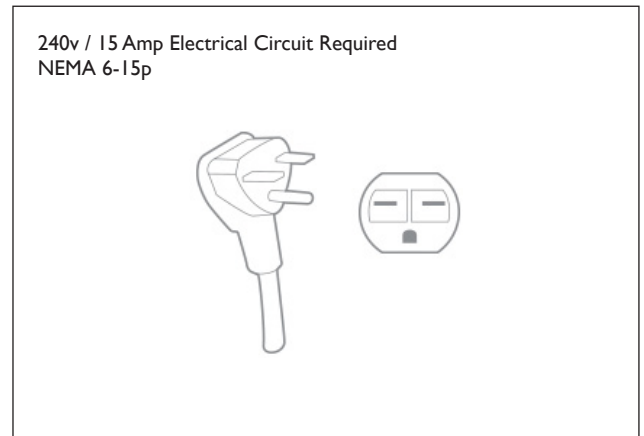
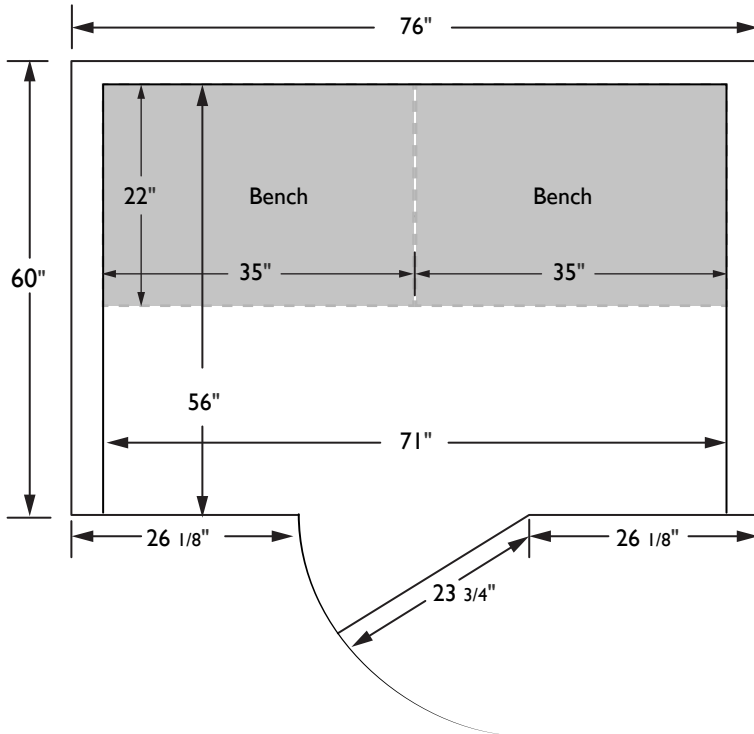
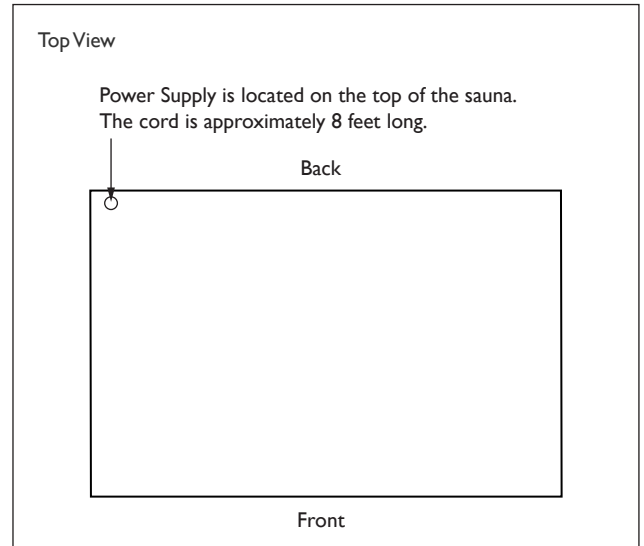
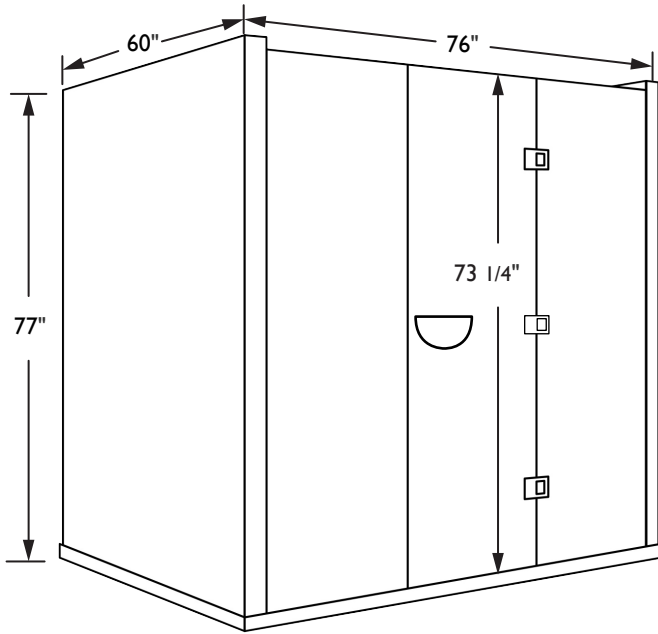




SAUNAS

CLEARLIGHT SANCTUARY Y
FULL SPECTRUM



SPECIFICATIONS

Construction

Eco Certified Grade "A" Clear Western
Red Canadian Cedar or Basswood
Tongue & Groove Construction
Weight: 715 lbs

Exterior

Width: 76"
Depth: 60"
Height: 77"
Door: 23 3/4" x 73 1/4"

Interior

Width: 71"
Depth: 56"
Height: 74"
Two Benches:
35" x 22"
Bench Height: 20"

Heaters

True Wave™ Carbon/Ceramic
Far infrared and full spectrum heaters
Power: 240V / 3,360W / 14A

Limited Lifetime Warranty

Cabinetry & Glass
Electrical
Heaters
Controls