

### BUILT-IN CHARGING AND AUDIO STATION

Charge your tablet or smartphone inside the sauna and connect your favorite audio device with Bluetooth or the included MP3 jack.

### BUILT-IN ERGONOMIC BACKREST

Relax close to the soothing infrared heat against the Chiropractor designed built-in ergonomic backrest.

### COMBINATION DOOR HANDLE/TABLET CRADLE FOR EASY MEDIA VIEWING

Place your tablet on the door handle for easy viewing of your favorite shows or movies.

### TRUE WAVE™ FULL SPECTRUM HEATERS

Our full spectrum infrared heaters deliver over 20 times the power of the nearest leading competitor. Our patented heating system allows for the deepest penetration with peak performance for the best results.

### BUILT FOR THE OUTDOORS

Gray Cedartec® exterior finish for durable outdoor use and Western Red Canadian Cedar interior for that true sauna feel.

### THERAPEUTIC FAR INFRARED HEATERS

Our exclusive True Wave™ combination carbon/ceramic low EMF / low ELF heaters surround you in healing infrared heat.

### DOCTOR DESIGNED ERGONOMIC BENCH

Relax in comfort in your sauna with our reversible bench. The extra deep bench is ergonomic on one side and flat on the other for maximum comfort. The bench can be flipped at any time.

### NO VOC VINYL FLOORING

Includes an easy to clean vinyl flooring with heating panel underneath.



### ENHANCED AUDIO SOUND SYSTEM



Bluetooth and AUX inputs makes it easy to connect and listen to your audio devices.

### DIGITAL KEYPAD CONTROLS



Never Fail™ digital keypad controls temperature, time, lights and reservation mode.

### COLOR LIGHT THERAPY



Your Outdoor sauna comes standard with our therapeutic Chromotherapy. Choose from one of twelve colors or auto-cycle through all color tones.

### TABLET / SMARTPHONE CONTROL (optional)



Log in from your tablet or smartphone and remotely operate your sauna.

## SPECIFICATIONS

#### Construction

Gray Cedartec® Eco-Certified Exterior  
Mahogany Interior  
Tongue & Groove Construction  
Weight: 765 lbs  
Rated: IPX 4

#### Exterior

Width: 57" \*  
Depth: 52" \*  
Height: 80"  
\* Roof Cap: 74" x 69"

#### Interior

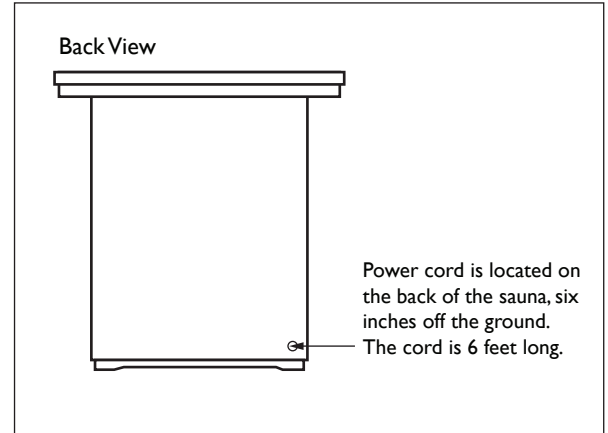
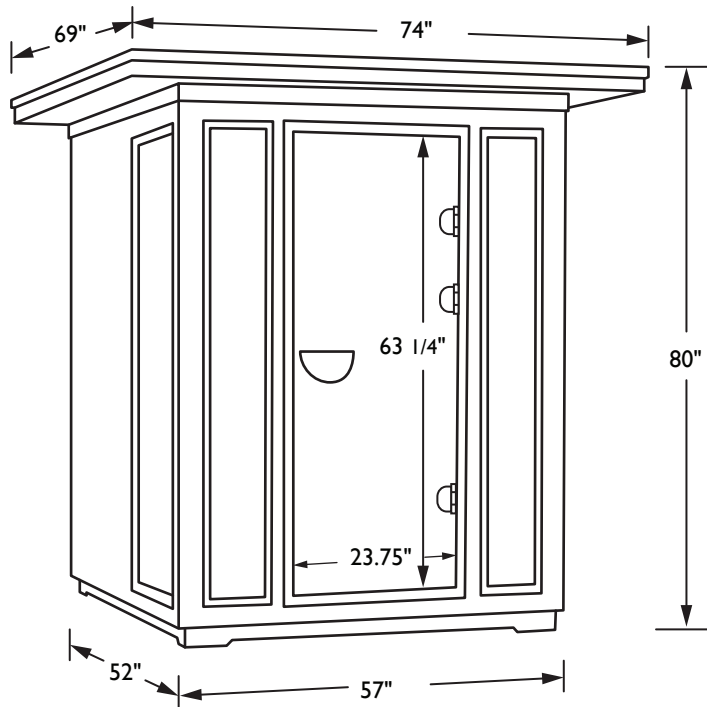
Width: 51"  
Depth: 46"  
Height: 71.5"  
Bench: 50" x 22"

#### Heaters

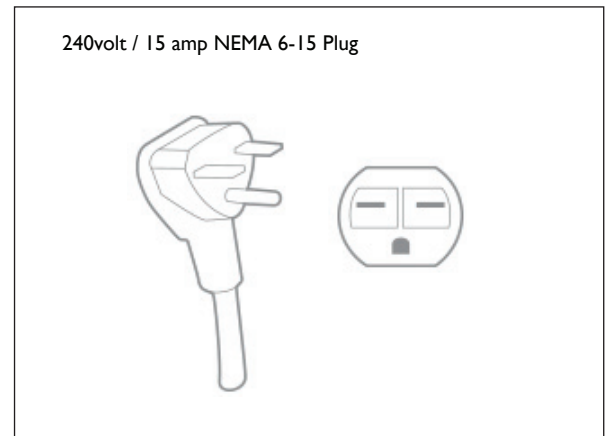
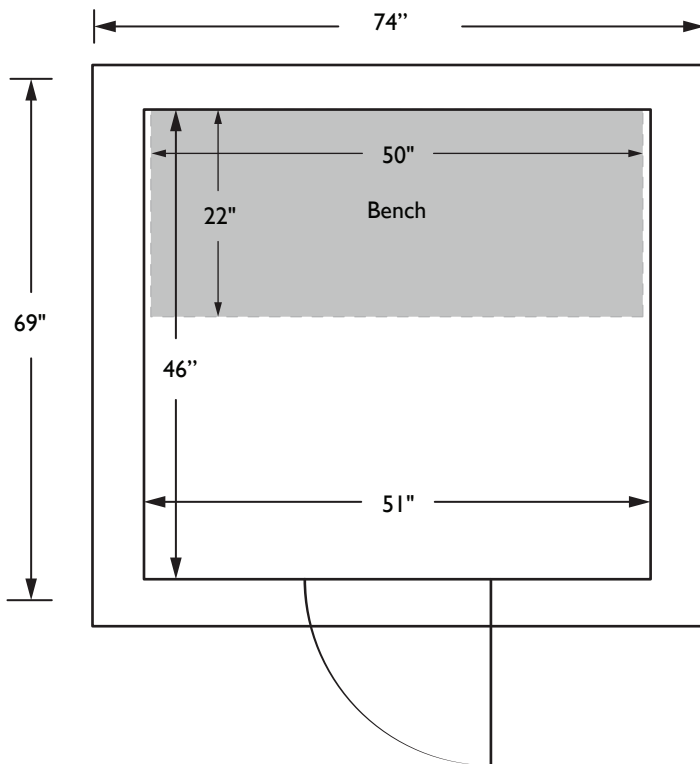
True Wave™ Far Infrared and Full Spectrum Infrared Heaters  
Power: 240V / 2480 W / 15A

#### Limited Lifetime

**Residential Warranty**  
Heaters: Lifetime  
Electrical Controls: Lifetime  
Cabinetry & Glass: 5 Years



Top View



**Construction**  
 Gray Cedartec® Eco-Certified Exterior  
 Mahogany Interior  
 Tongue & Groove Construction  
 Weight: 765 lbs  
 Rated: IPX 4

**Exterior**  
 Width: 57" \*  
 Depth: 52" \*  
 Height: 80"  
 \* Roof Cap: 74" x 69"

**SPECIFICATIONS**  
**Interior**  
 Width: 51"  
 Depth: 46"  
 Height: 71.5"  
 Bench: 50" x 22"

**Heaters**  
 TrueWave™ Far Infrared and Full  
 Spectrum Infrared Heaters  
 Power: 240V / 2480 W / 15A

**Limited Lifetime  
 Residential Warranty**  
 Heaters: Lifetime  
 Electrical Controls: Lifetime  
 Cabinetry & Glass: 5 Years