

Full Spectrum Sanctuary Retreat by Clearlight®



Features

Therapeutic Far Infrared Heaters

Our exclusive True Wave® combination carbon/ceramic low EMF / low ELF heaters surround you in healing infrared heat.

True Wave® Full Spectrum Heaters

Our full spectrum near, mid and far infrared heaters deliver over 20 times the power of the nearest leading competitor. Our patented heating system allows for the deepest penetration with peak performance for the best results.

Two Removable Benches.

Relax in comfort with two removable 34.5" benches or remove the benches for easy wheelchair access.

Italian Inspired Design & Glass Roof

The open feel and beautiful design of your Sanctuary sauna will compliment every room.

Beautiful Accent Lights

Energy efficient LED lights highlight the beauty of your sauna while providing gentle ambient lighting.

Charging & Audio Station

Charge your tablet or smartphone inside the sauna and connect your favorite audio device with Bluetooth or the included MP3 jack.

Combination Door Handle/Tablet Cradle For Easy Media Viewing

Place your tablet on the door handle for easy viewing of your favorite shows or movies.

Exclusive Under Floor Foot Heater

All Clearlight Sanctuary Saunas include a heater underneath the wood floor to enhance your sauna session.



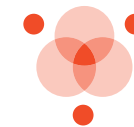
Enhanced Audio Sound System

Bluetooth and AUX inputs makes it easy to connect and listen to your audio devices.



Digital Keypad Controls

Never Fail™ digital keypad controls temperature, time, lights, heater intensity and reservation mode.



Color Light Therapy

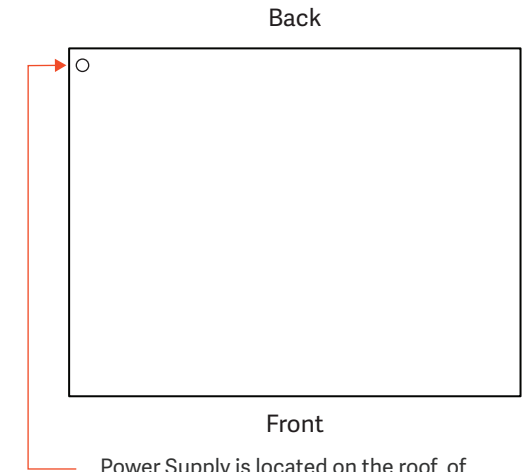
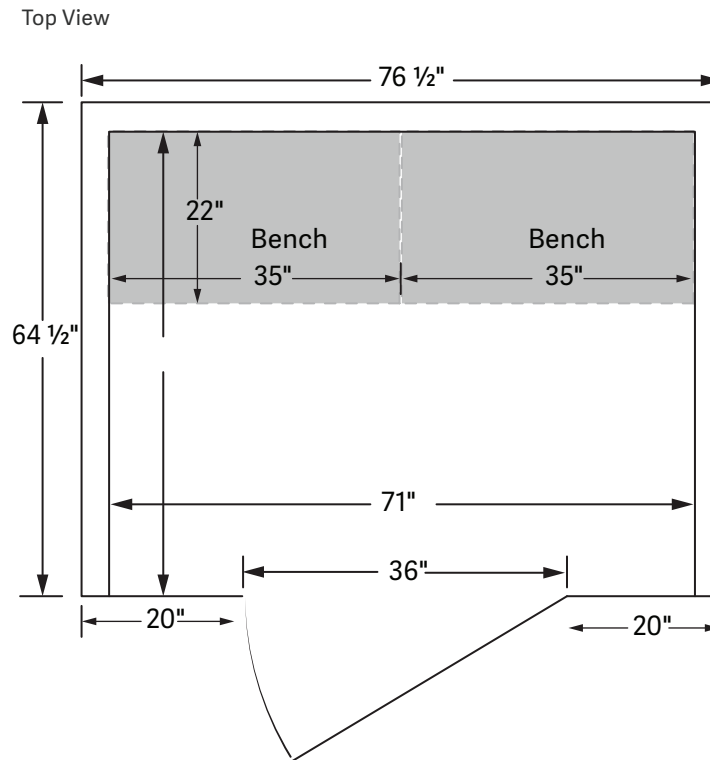
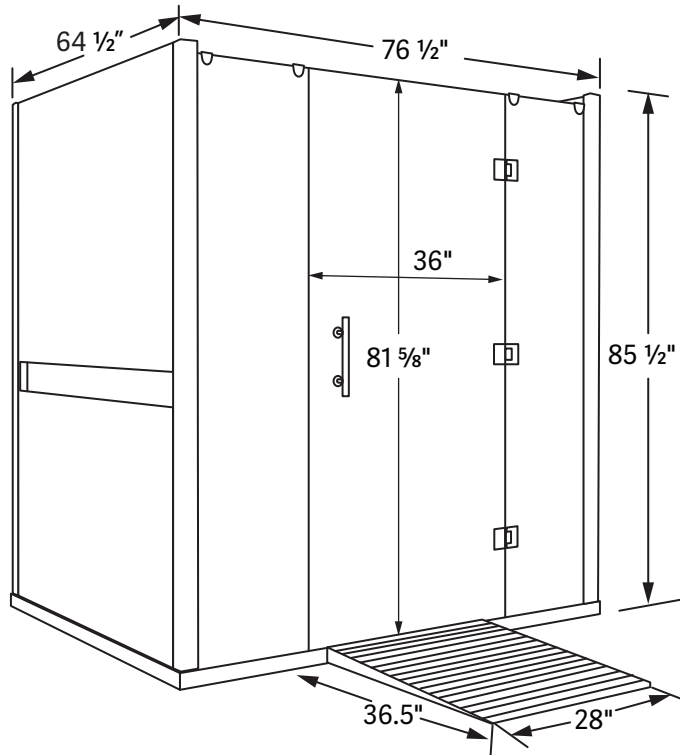
Your Sanctuary sauna comes standard with our healing Chromotherapy. Choose from one of twelve colors or auto-cycle through all color tones.



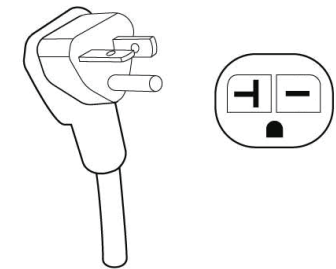
Tablet / Smartphone Control (Optional)

Log in from your Android tablet or smartphone and remotely operate your sauna.

Full Spectrum Sanctuary Retreat by Clearlight®



Power Supply is located on the roof of the sauna. The cord is approximately 8 feet long.



240V / 20 Amps Electrical Circuit
Required NEMA 6-20p

Specifications

Construction

Eco-Certified wood choices:
Mahogany Exterior/Interior
Basswood Exterior/Interior
Tongue & Groove Construction
Weight: 780 lbs

Exterior

Width: 76"
Depth: 64 1/2"
Height: 85 1/2"
Door Opening:
36" x 81 5/8"

Interior

Width: 71"
Depth: 61"
Height: 81"
Two Benches: 35" x 22"
Bench Height: 20"

Ramp

Width: 28"
Depth: 36"
Elevated Height: 2 1/2"
Bottom Height: 1/2"
Slope: 3.136°

Heaters

True Wave® Carbon/Ceramic
Far infrared and full spectrum
heaters.
Power: 240V / 3,610W / 15.1A

Limited Lifetime Residential Warranty

Cabinetry & Glass
Electrical
Heaters
Controls



Attention: Make sure largest panel can fit through all access points from location entrance to sauna set up location

Full Spectrum Sanctuary Retreat by Clearlight®

Individual panel sizes laying flat in inches

Panel	Length	Width	Height
Roof	33	71 ½	3
Floor	64 ½	76 ½	2 ½
Left Side	75 ½	64	3 ½
Right Side	75 ½	64	3 ½
Back Wall	75 ½	71 ½	3 ¼

What gauge wire are our saunas?

20 amp saunas are 12 AWG

Single Phase/ 3 wire: 2 x live/ground - for 240v



Attention: Make sure sauna is assembled on a level surface

Additional Information

Recommended Clearance

4" All Around if enclosing

Glass Roof

W: 71 ¾" D: 28 ¼" H: 8mm

Bench Weight Limit

Bench Weight Limit 350 lbs per person

Add On

- Can't have both upgrade heater and Red Light simultaneously.
- Not VRT compatible
- No Charging Cubby

Surface Requirements

Make sure sauna is placed on a level surface.